



NetBrain Operator Edition

“The Intelligence is in the Map”



Network Problems are Inevitable. Are You Prepared?

An application is slow. Is it the network?

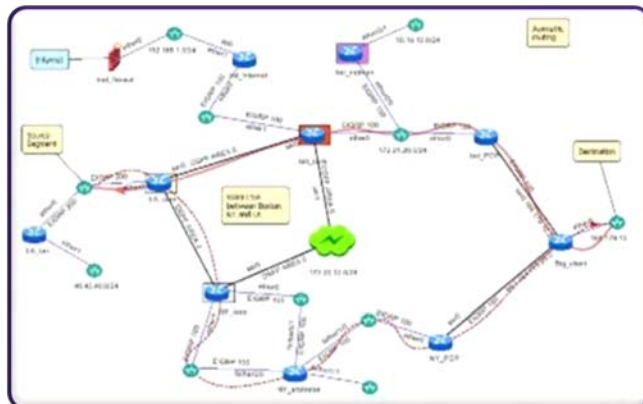
How many times have you heard this question? Most likely too often! But is it really the network? You start to troubleshoot the problem to eliminate the network as the cause. Troubleshooting a network requires that engineers have in-depth knowledge of not only the physical aspects of the network, but also how it is designed. And, the larger the network is, the more difficult it is for engineers to gain detailed knowledge. You need instant access to critical network information to figure out what is going on and resolve network problems fast. Would interactive troubleshooting maps help?

NetBrain’s Operator Edition removes these barriers by directly embedding in-depth network knowledge in something everyone knows how to use; a map. This innovative map-centric approach provides network engineers with a new perspective on network troubleshooting and outage prevention.

NetBrain SmartMap Technology

NetBrain’s exclusive SmartMap technology embeds all the “intelligence about the network directly in the map”, so you no longer have to keep network knowledge in your head or rely on paper. Now you can view information about your entire infrastructure directly in a SmartMap including:

- L2 maps with full L2 port-to-port connectivity and configured VLANs
- L3 maps with routing and addressing
- Self-updating maps reflect the most up-to-date view of the operational network as changes occur
- Dynamic creation of up-to-date network maps for any purpose
- Incorporation of total network knowledge including network design and historical data
- Show/hide capability in the map allows you to choose the level of detail you need



L3 SmartMap provides detailed routing and link status

Enterprise Network Discovery

Operator Edition’s intelligent discovery engine ensures that all the data about the network is discovered fast and accurately. All device configurations, routing tables, VLAN, port-to-port connectivity and inventory information is captured and stored securely. The collected data is then used to build a data-driven model of the network.

Focused Troubleshooting

For the first time, you can work without having to refer to manually generated paper maps. Leveraging NetBrain, you can create a fully-annotated L3/L2 SmartMap of the problem area, on the fly. SmartMap technology is built upon the underlying data model that tracks the entire operational network directly in the map, so it is never out of date. With SmartMap you can:

- Define two endpoints of a slow application and create a traffic flow SmartMap based on the operational network or using a historical benchmark
- Drag and drop a problematic device to automatically create a map
- Provide the output of a trace route command and automatically generate a map for the two endpoints and any hops in-between

NetBrain Operator Edition Key Features and Benefits:

Comprehensive Discovery

High-speed discovery engine finds and inventories every network device and captures a full range of information about L3 topology and L2 port-to-port connectivity

Intelligent L2/L3 Maps

Exclusive SmartMap technology embeds all the network knowledge right in the map; create maps in minutes using configuration files, discovery data or trace route results, all map data is kept synchronized with the operational network

Integrated Monitoring

Visualize and pinpoint operational network performance issues at either L3 or L2 in real-time directly in a HeatMap

Interactive Troubleshooting

Dynamically isolate a problem by dragging and dropping the problematic device into a workspace or typing in an IP address to instantly build a map around the trouble area

Comparative Benchmarking

Builds an extensive data model to establish a baseline configuration of the entire network; then compare the configuration of current network to other snapshots or the baseline

Configurable Workspaces

All individual workspaces are stored and maintained on the Enterprise Server and are kept fully synchronized with the operational network, additionally each workspace can be secured or shared for collaborative troubleshooting

Automated Documentation

A broad array of network documentation can be generated with one-click including: L2/L3 Visio diagrams, any SmartMap, device inventory or configuration files for management reporting or to meet compliance directives

Role-based Management

Two different role layers enable fine grained control over access to any workspace, the network, maps or devices on an individual basis by a designated administrator

Enterprise Scalability

A single instance of Operator Edition Enterprise Server can support up to 5,000 devices and multiple Enterprise Servers can be deployed to support networks with up to 30,000 devices

NetBrain Technologies Inc.
23 Third Avenue
Burlington, MA 01803

www.netbraintech.com

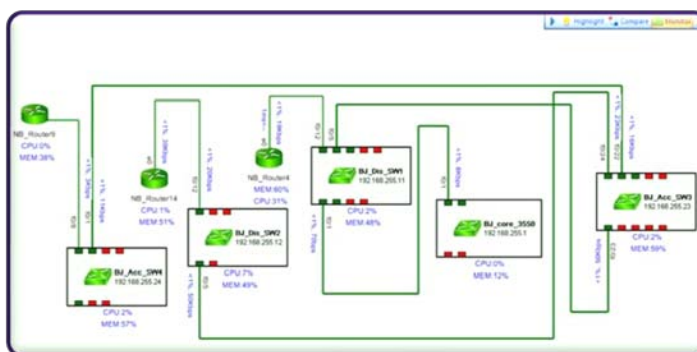
Real-Time Monitoring

NetBrain's HeatMap provides you with a real-time diagnostic view of a problem area. Each device in the HeatMap is color-coded based on its current status. Enabling monitoring from within a L3/L2 SmartMap creates a HeatMap. Live performance data for devices and links are overlaid directly in the map. From simple up/down, to advanced analysis of performance metrics along a path, HeatMap instantly identifies the hot spot.

Key HeatMap capabilities include:

- Up, down and flapping status for any device or link
- Display of SNMP based performance data for devices and interfaces
- Setting customizable thresholds and alert when thresholds are exceeded
- Measurement and display of jitter, packet loss and delay on any link
- Enabling or disabling real-time monitoring with one-click

Either an L2 or L3 HeatMap can be created on-the fly to focus on specific devices or a distinct problem area.



Real-time monitoring in an L2 HeatMap

Network Benchmarking

NetBrain's network benchmarking capability is unique in the network management market. Unlike the one device at a time approach for managing configuration change used by traditional NCCM solutions to establish a known good baseline, NetBrain views the entire network as a single entity.

Since everything in the network is designed and configured to work together, the conclusion was: to benchmark the entire operational network at once and constructing a data-driven model. Using this approach:

- All knowledge about the network is captured and encapsulated in a single view
- A known good benchmarked baseline is established
- View network evolution through comparison with other benchmarks

Comparing the configuration of the entire network rather than individual devices provides a deeper understanding of the impact of change on the infrastructure.

Get the Whole Picture with NetBrain Operator Edition

Automated creation of detailed diagrams and comprehensive documentation of your network has never been easier with NetBrain's Operator Edition. Leveraging NetBrain's exclusive SmartMap™ technology, you can quickly troubleshoot and resolve even the most complex issues. NetBrain Operator Edition blends powerful features with ease of use, making your job easier and faster.

Since our founding in 2004, NetBrain Technologies' mission has been to alter the network operations and management landscape with transformational technology. Our innovative solutions focus on simplifying and reducing the effort associated with designing, documenting and troubleshooting enterprise networks.

Copyright 2011 All Rights Reserved